



ASME B18.2.4.5M Hex Nut

Leader-Fastener is a manufacturer and distributor of **ASME B18.2.4.5M Hex Nut**. We have a complete line of service from having invested in production plants, export department and to having a quality control team and center to meet your requirements. We regard quality as the life of the company. We persist in good quality as the first policy and have established a set of quality control and inspection system according to the international standard. We have carried out ISO9001 Quality Guarantee System in every course of production, transportation and selling. We do hope we could be your partner in business by topping quality, knight service and

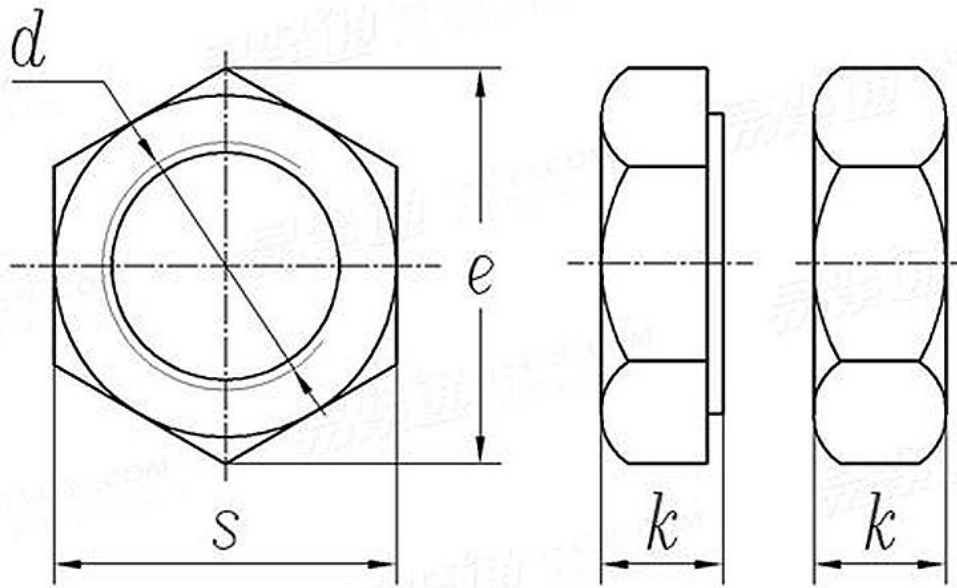
competitive price in the near future and be your friends as well.

This **ANSI/ASME B18.2.4.5M** standard of Hex Jam Nuts recognized as American National Standard. Hex Jam Nuts made of standard and high-quality raw material with fine pitch thread that resists loosening. **ANSI/ASME B18.2.4.5M Hex Jam Nuts** is low profile type nut and most commonly used as a lock nut. Hex Jam Nuts have half-length or thickness of standard nut, **ANSI/ASME B18.2.4.5M** ideal where a standard nut would not fit. They use to lock something in place or secure without applying force to that object. **ANSI/ASME B18.2.4.5M** made of different grade of steel, stainless steel and other chemical resistance material to make it suitable for the most fastening application. It is hexagonal in shape and chamfered at corner allow tightened through spanner or wrench, once they fit perfectly, they resist loosening from counter-clockwise motion.

Product Specification of **ASME B18.2.4.5M Hex Nut**

Material : Carbon steel, Stainless steel, Alloy Steel, Brass.

Finishment: Black, Zinc Plated, Zinc Yellow, HDG, Phosphate, DACROMET, Geomet, Magin, Ruspert, Teflon, etc.

ASME B 18.2.4.5M - 2008 Metric Hex Thin Nuts


Thread Size		M5	M6	M8	M10	(M10) ①	M12	M14	M16	M20	M24	M30	M36
D													
P	Pitch	0.8	1	1.25	1.5	1.5	1.75	2	2	2.5	3	3.5	4
s	max	8.00	10.00	13.00	16.00	15.00	18.00	21.00	24.00	30.00	36.00	46.00	55.00
	min	7.78	9.78	12.73	15.73	14.73	17.73	20.67	23.67	29.16	35	45	53.8
e	max	9.24	11.55	15.01	18.48	17.32	20.78	24.25	27.71	34.64	41.57	53.12	63.51
	min	8.79	11.05	14.38	17.77	16.64	20.03	23.35	26.75	32.95	39.55	50.85	60.79
k	max	2.7	3.2	4	5	5	6	7	8	10	12	15	18
	min	2.45	2.9	3.7	4.7	4.7	5.7	6.42	7.42	9.1	10.9	13.9	16.9

①,When M10 nuts are ordered, nuts with 16 mm width across flats shall be furnished, unless 15 mm width across flats is specified.